

TMSTBP 2,5/ 4-ST-5,08

Order No.: 1853036

The figure shows a 10-position version of the product

<http://eshop.phoenixcontact.de/phoenix/treeViewClick.do?UID=1853036>

Plug component, nominal current: 12 A, rated voltage: 250 V, pitch:
5.08 mm, no. of positions: 4, type of connection: Screw connection

Commercial data

EAN	4017918109233
Pack	50 Pcs.
Customs tariff	85369010
Weight/Piece	0.01369 KG
Catalog page information	Page 181 (CC-2007)

Product notes

WEEE/RoHS-compliant since:
01/01/2003



<http://www.download.phoenixcontact.com>
Please note that the data given here has been taken from the online catalog. For comprehensive information and data, please refer to the user documentation. The General Terms and Conditions of Use apply to Internet downloads.

Technical data

Dimensions / positions

Height	28.9 mm
Pitch	5.08 mm
Dimension a	15.24 mm
Number of positions	4
Screw thread	M 3

Tightening torque, min	0.5 Nm
Technical data	
Insulating material group	I
Rated surge voltage (III/3)	4 kV
Rated surge voltage (III/2)	4 kV
Rated surge voltage (II/2)	4 kV
Rated voltage (III/2)	320 V
Rated voltage (II/2)	630 V
Connection in acc. with standard	EN-VDE
Nominal current I_N	12 A
Nominal voltage U_N	250 V
Nominal cross section	2.5 mm ²
Maximum load current	12 A
Insulating material	PA
Inflammability class acc. to UL 94	V0
Internal cylindrical gage	A3
Stripping length	10 mm
Connection data	
Conductor cross section solid min.	0.2 mm ²
Conductor cross section solid max.	2.5 mm ²
Conductor cross section stranded min.	0.2 mm ²
Conductor cross section stranded max.	2.5 mm ²
Conductor cross section stranded, with ferrule without plastic sleeve min.	0.25 mm ²
Conductor cross section stranded, with ferrule without plastic sleeve max.	2.5 mm ²
Conductor cross section stranded, with ferrule with plastic sleeve min.	0.25 mm ²
Conductor cross section stranded, with ferrule with plastic sleeve max.	2.5 mm ²
Conductor cross section AWG/kcmil min.	24
Conductor cross section AWG/kcmil max	12
2 conductors with same cross section, solid min.	0.2 mm ²
2 conductors with same cross section, solid max.	1 mm ²
2 conductors with same cross section, stranded min.	0.2 mm ²

2 conductors with same cross section, stranded max.	1.5 mm ²
2 conductors with same cross section, stranded, ferrules without plastic sleeve, min.	0.25 mm ²
2 conductors with same cross section, stranded, ferrules without plastic sleeve, max.	1 mm ²
2 conductors with same cross section, stranded, TWIN ferrules with plastic sleeve, min.	0.5 mm ²
2 conductors with same cross section, stranded, TWIN ferrules with plastic sleeve, max.	1.5 mm ²

Certificates / Approvals



CSA

Nominal voltage U _N	300 V
Nominal current I _N	10 A
AWG/kcmil	28-12

CUL

Nominal voltage U _N	300 V
Nominal current I _N	10 A
AWG/kcmil	30-12

UL

Nominal voltage U _N	300 V
Nominal current I _N	10 A
AWG/kcmil	30-12
Certification	CB, CSA, CUL, GOST, UL, VDE-PZI

Accessories

Item	Designation	Description
------	-------------	-------------

Bridges

1733172	EBP 3- 5	Insertion bridge, fully insulated, for plug connectors with 5.0 or 5.08 mm pitch, no. of positions: 3
1733185	EBP 4- 5	Insertion bridge, fully insulated, for plug connectors with 5.0 or 5.08 mm pitch, no. of positions: 4

General

1733169	EBP 2- 5	Insertion bridge, fully insulated, for plug connectors with 5.0 or 5.08 mm pitch, no. of positions: 2
---------	----------	---

Marking

1051993	B-STIFT	Marker pen, for manual labeling of unprinted Zack strips, smear-proof and waterproof, line thickness 0.5 mm
0804293	SK 5,08/3,8:FORTL.ZAHLEN	Marker card, printed horizontally, self-adhesive, 12 identical decades marked 1-10, 11-20 etc. up to 91-(99)100, sufficient for 120 terminal blocks
0805085	SK 5,08/3,8:SO	Marker card, special printing, self-adhesive, labeled acc. to customer requirements, 12 identical marker strips per card, max. 25-position labeling per strip, color: white
0805412	SK 5,08/3,8:UNBEDRUCKT	Marker cards, unprinted, with pitch divisions, self-adhesive, 10-section marker strips, 12 strips per card, can be labeled with the M-PEN

Tools

1205053	SZS 0,6X3,5	Screwdriver, bladed, matches all screw terminal blocks up to 4.0 mm ² connection cross section, blade: 0.6 x 3.5 mm, without VDE approval
---------	-------------	--

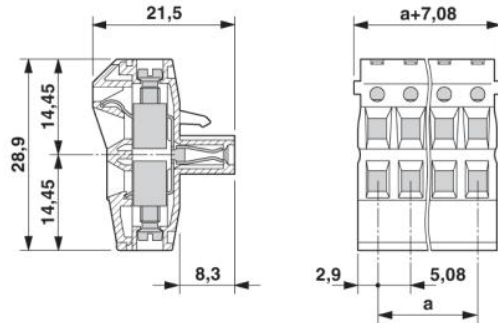
Additional products

Item	Designation	Description
General		
1872486	A-MSTBVA 2,5/ 4-G-5,08	Header, nominal current: 12 A, rated voltage: 250 V, pitch: 5.08 mm, no. of positions: 4, mounting: Mounting rail
0707264	DFK-MSTB 2,5/ 4-G-5,08	Header, nominal current: 12 A, rated voltage: 320 V, pitch: 5.08 mm, no. of positions: 4, mounting: Direct mounting
1898855	DFK-MSTBA 2,5/ 4-G-5,08	Header, nominal current: 12 A, rated voltage: 250 V, pitch: 5.08 mm, no. of positions: 4, mounting: Soldering
1899155	DFK-MSTBVA 2,5/ 4-G-5,08	Header, nominal current: 12 A, rated voltage: 250 V, pitch: 5.08 mm, no. of positions: 4, mounting: Soldering
1880326	EMSTBA 2,5/ 4-G-5,08	Header, nominal current: 12 A, rated voltage: 250 V, pitch: 5.08 mm, no. of positions: 4, mounting: press in
1859535	EMSTBVA 2,5/ 4-G-5,08	Header, nominal current: 12 A, rated voltage: 200 V, pitch: 5.08 mm, no. of positions: 4, mounting: Press in
1873375	FKIC 2,5/ 4-ST-5,08	Plug component, nominal current: 12 A, rated voltage: 320 V, pitch: 5.08 mm, no. of positions: 4, type of connection: Spring-cage connection
1786190	IC 2,5/ 4-ST-5,08	Plug component, nominal current: 12 A, rated voltage: 250 V, pitch: 5.08 mm, no. of positions: 4, type of connection: Screw connection

1823862	ICC 2,5/ 4-STZ-5,08	Plug component, nominal current: 12 A, rated voltage: 250 V, pitch: 5.08 mm, no. of positions: 4, type of connection: Crimp connection
1736713	MDSTB 2,5/ 4-G1-5,08	Header, nominal current: 10 A, rated voltage: 250 V, pitch: 5.08 mm, no. of positions: 4, mounting: Soldering
1842089	MDSTBA 2,5/ 4-G-5,08	Header, nominal current: 10 A, rated voltage: 250 V, pitch: 5.08 mm, no. of positions: 4, mounting: Soldering
1736755	MDSTBV 2,5/ 4-G1-5,08	Header, nominal current: 10 A, rated voltage: 250 V, pitch: 5.08 mm, no. of positions: 4, mounting: Soldering
1845358	MDSTBVA 2,5/ 4-G-5,08	Header, nominal current: 10 A, rated voltage: 250 V, pitch: 5.08 mm, no. of positions: 4, mounting: Soldering
1759033	MSTB 2,5/ 4-G-5,08	Header, nominal current: 12 A, rated voltage: 250 V, pitch: 5.08 mm, no. of positions: 4, mounting: Soldering
1770737	MSTB 2,5/ 4-G-5,08-LA	Header, nominal current: 12 A, rated voltage: 250 V, pitch: 5.08 mm, no. of positions: 4, mounting: Soldering
1757268	MSTBA 2,5/ 4-G-5,08	Header, nominal current: 12 A, rated voltage: 250 V, pitch: 5.08 mm, no. of positions: 4, mounting: Soldering
1902767	MSTBA 2,5/ 4-G-5,08 THT	Header, nominal current: 12 A, rated voltage: 250 V, pitch: 5.08 mm, no. of positions: 4, mounting: SMD / THT
1770960	MSTBA 2,5/ 4-G-5,08-LA	Header, nominal current: 12 A, rated voltage: 250 V, pitch: 5.08 mm, no. of positions: 4, mounting: Soldering
1850453	MSTBO 2,5/ 4-GL-5,08	Header, nominal current: 8 A, rated voltage: 250 V, pitch: 5.08 mm, no. of positions: 4, mounting: Soldering
1847123	MSTBO 2,5/ 4-GR-5,08	Header, nominal current: 8 A, rated voltage: 250 V, pitch: 5.08 mm, no. of positions: 4, mounting: Soldering
1758034	MSTBV 2,5/ 4-G-5,08	Header, nominal current: 12 A, rated voltage: 250 V, pitch: 5.08 mm, no. of positions: 4, mounting: Soldering
1755752	MSTBVA 2,5/ 4-G-5,08	Header, nominal current: 12 A, rated voltage: 250 V, pitch: 5.08 mm, no. of positions: 4, mounting: Soldering
1902835	MSTBVA 2,5/ 4-G-5,08 THT	Header, nominal current: 12 A, rated voltage: 250 V, pitch: 5.08 mm, no. of positions: 4, mounting: SMD / THT
1735866	MSTBW 2,5/ 4-G-5,08	Header, nominal current: 12 A, rated voltage: 250 V, pitch: 5.08 mm, no. of positions: 4, mounting: Soldering
1769489	SMSTB 2,5/ 4-G-5,08	Header, nominal current: 12 A, rated voltage: 250 V, pitch: 5.08 mm, no. of positions: 4, mounting: Soldering
1767397	SMSTBA 2,5/ 4-G-5,08	Header, nominal current: 12 A, rated voltage: 250 V, pitch: 5.08 mm, no. of positions: 4, mounting: Soldering

Drawings

Dimensioned drawing



Address

PHOENIX CONTACT GmbH & Co. KG
Flachmarktstr. 8
32825 Blomberg, Germany
Phone +49 5235 3 00
Fax +49 5235 3 41200
<http://www.phoenixcontact.de>



© 2008 Phoenix Contact
Technical modifications reserved;